



## CIA SMARTACCESS

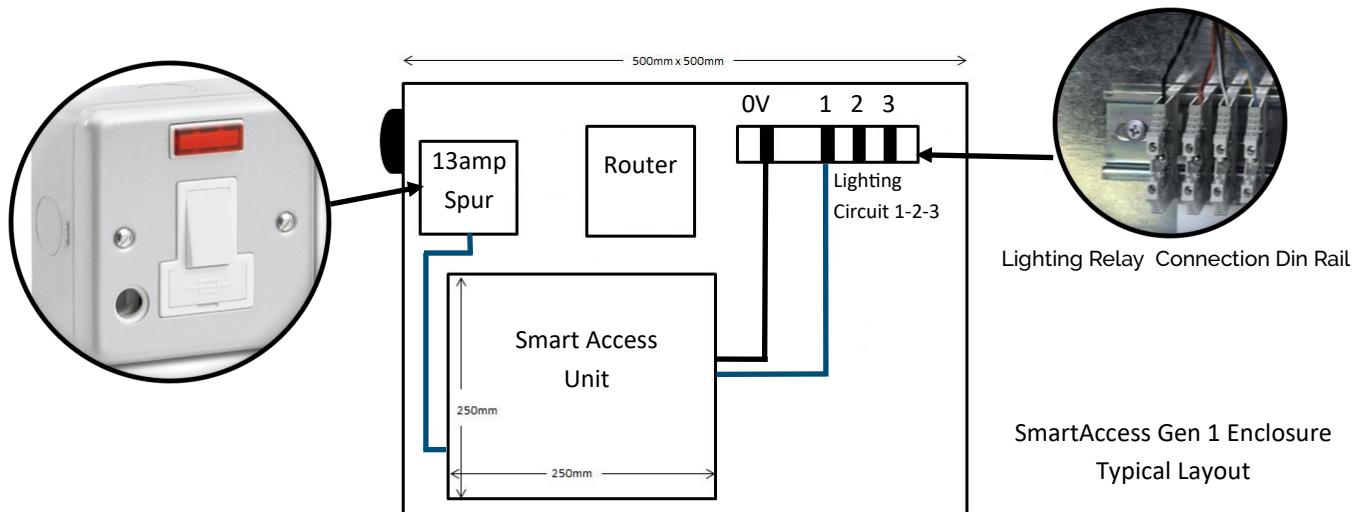
Electrical & Lighting requirements to be provided by the venue,  
Not included with the SmartAccess Quotation

### OVERVIEW

The SmartAccess system enables venues to automate access and lighting control through the Clubspark booking platform.

### ELECTRICAL REQUIREMENTS

Prior to the SmartAccess installation the venue are to arrange the installation of a 13 amp switched fused spur mounted in an externally rated cabinet, approximately 500mm x 500mm 250mm deep. This should be ideally located within 5 meters beside or above each SmartAccess gate location. Note - The SmartAccess equipment is 12 VDC with a 2amp draw.



### LIGHTING REQUIREMENTS

The lighting control feature allows the court lighting to switch on and off automatically in line with the court booking. Within the programming of the Clubspark platform warm up and cool down periods can be allowed for as well as Halogen floodlights can be configured to turn on prior to a booking and stay on if there is a concurrent booking.

The SmartAccess control panel has 3 x 12vDC lighting triggers ready for the venues electrical contractor to connect into the lighting system. These 12v DC triggers have been designed to work at any venue, the venues electrical contractor will establish the method of connection from the SmartAccess control panel to the lighting system which is typically via a 12V-230V contactor/relay. The cabling from the SmartAccess control panel triggers to the court lighting is to be specified and carried out by the electrical contractor.

Please note the lighting configuration is different at each venue.

### SMARTACCESS CONTROL PANELS

**Gen 1 panels typically installed 2016 to 2020** – These panels have hard wired 12v trigger terminals mounted on a din rail. The mains electrical connection is via a hard wired flex.

**Gen 2 panels typically installed 2021 onward** – These panels have plug in connectors to the 12v triggers, the male end of which will be located in the panel ready to be wired into. For remote testing purposes each 12v trigger has a LED status indicator. The mains electric connection is via a plug in kettle lead into the side of the control panel, the lead is included with the system.



FIRE & SECURITY

CONTACT US FOR MORE INFO

01285 651025

LTA@CIAFIREANDSECURITY.CO.UK

SUPPORT@CLUBSPARK.CO.UK

PROVIDING  
PEACE OF MIND



## CIA SMARTACCESS

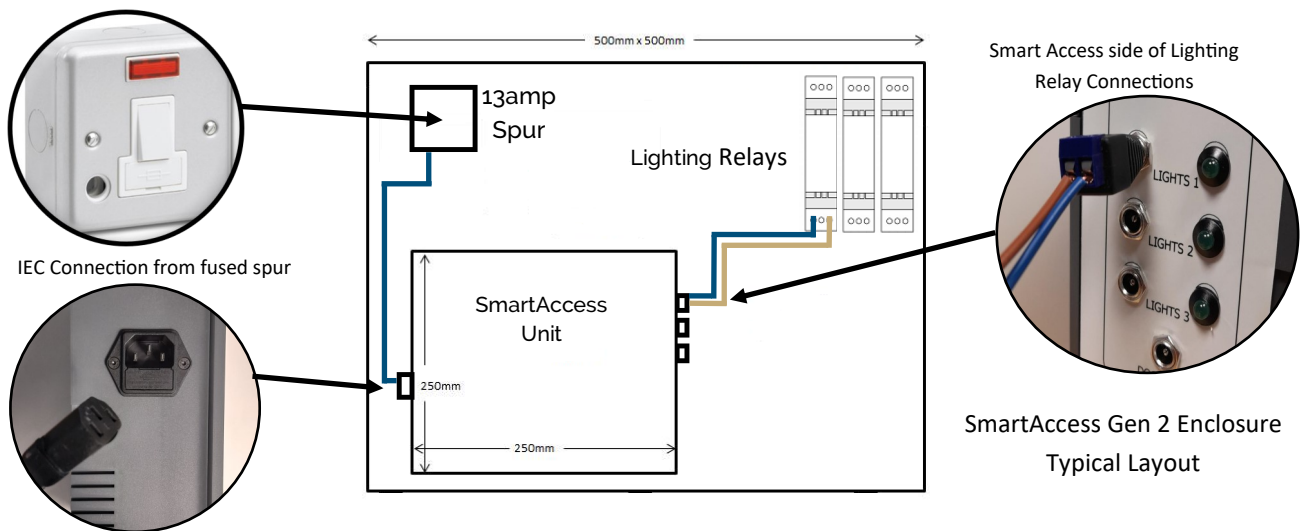
### ELECTRICAL & LIGHTING REQUIREMENTS

#### NUMBER OF LIGHTING TRIGGERS

A SmartAccess panel has 3 lighting triggers, if a venue should require additional lighting control then further controllers can be added. Each panel will support a maximum of 3 lighting control outputs.

#### SET UP AND TESTING

Once the lighting connections have been made the electrical contractor will need to contact CIA Fire and Security on 01285 651025 to test the set up. We will need to be informed of which output controls which court. Please note advance warning of setup and testing is required.



#### CONFIGURATION

Once the lighting has been set up and tested, the venue then use the Clubspark admin platform to determine when the court lighting is required, this will differ throughout the year. Further parameters such as what additional charges if any that are associated to the lighting are programmed via the Clubspark Platform. Support for this is provided directly by Clubspark.

#### OVERRIDE

The electrical contractor is to ensure there is a secure method to bring the lighting on and off outside of the SmartAccess platform. We recommend the operation of this is via a key switch and used by authorised users only.

Most venues have a cut off time as to when the floodlighting is permitted to be used, usually around 10pm, please discuss this with your electrical contractor.



Real time Reporting



Multi-venue



Increased Revenue



Resource Control



Easy access



Safe & Secure



FIRE & SECURITY

CONTACT US FOR MORE INFO

01285 651025

LTA@CIAFIREANDSECURITY.CO.UK

SUPPORT@CLUBSPARK.CO.UK

PROVIDING  
PEACE OF MIND